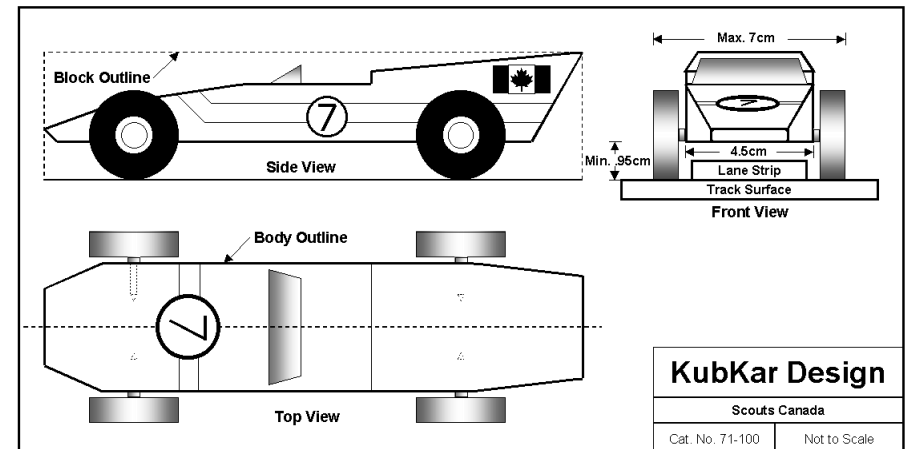


# Official 2019 Rules and Registration for Whitby Area



## Rules below are to ensure everyone has a good time!

1. All drivers (Cub Scouts) must be in full Scouting Uniform
2. **Kub Kar Races are designed for youth participation, and as such, family and friends should limit their participation and influence on the building of the Kars.** (where it appears there is minimal youth involvement, it may/may not affect voting decisions)
3. The Cub Scout must be at the race to race the Kub Kar (**exceptions may be made at the discretion of the officials depending on reason**)
4. One Kub Kar per Cub Scout & one Cub Scout (driver) per Kub Kar
5. Once the Kub Kar has passed the weigh-in it cannot be adjusted or re-oiled (may be permitted on Finals Day, at registration)
6. Width shall not exceed 70mm
7. Length shall not exceed 180mm
8. Height shall not exceed 76mm
9. Weight shall not exceed 142 grams (**as per the official's scale at the race venue**) **Weights must be affixed from the bottom, made flush with the bottom of the Kar, and between the front and rear axles.**
10. The Kub Kar chassis shall clear the track by no less than 9.5 mm with a minimum track (between the wheels) of 45mm
11. Wheel bearings, washers & bushings are prohibited, and may not be modified.
12. Only Kub Kar wheels can be used. **All wheels MUST meet the track, and wheels & axles may NOT be modified.**
13. The Kub Kar shall not ride on any type of springs
14. The Kub Kar must be freewheeling with no starting devices
15. No loose materials of any kind are permitted on the vehicle
16. **ONLY the contents of the Kub Kar Kit may be used, as well as the permitted decals as in #16 (Use of the Box is NOT permitted)**  
Detailing is permitted such as steering wheel, driver (if made from kit materials. Toys may not be affixed), decals (***Kar Wraps are not permitted, and decals must lay flat***), painting, and interior detail as long as these items do not affect the maximum weight of the vehicle
17. **All painted surfaces must be dry! The bottom of the Kar MUST NOT BE PAINTED OR COLOURED OR COVERED**
18. Lubricant - lubricant may be used. **GRAPHITE MAY NOT BE USED.**  
Lubricant may not drip onto the track. After completing check-in, no further lubricating will be permitted.
19. **Kub Kar numbers MUST be displayed on the top of the Kar, and clearly visible.** Use of paint or decal (any) is permitted. Decals must lay flat.
20. Inspection – **ALL** Kub Kars must pass inspection as per the race officials. The decision of the officials is final. The officials have the right to disqualify Kars that fail to pass inspection, or those of individuals acting in an un-Scoutly manner. (eg: arguing with the officials)

## 2019 KUB KAR RALLY REGISTRATION FORM

Complete and bring with Kar & Kub **on the day of Pack Group Race**  
**2019 Entry Fee is covered by a generous donation.**

Driver's Name: \_\_\_\_\_ Group: \_\_\_\_\_

I have read and understand the rules of racing for my section and will abide by them. I also understand that if I am not present and not in Uniform for the race, my vehicle will not be permitted to race.

Driver Signature: \_\_\_\_\_

Parent/Guardian Signature: \_\_\_\_\_

### Scouter Use Only

I hereby affirm that \_\_\_\_\_ is a member in good standing with our group and will be representing our group in their designated section.

Akela/Scouter Signature: \_\_\_\_\_

Kub Kar Number \_\_\_\_\_

Weight (142g max) \_\_\_\_\_

Length (180mm)	OK <input type="checkbox"/>	No <input type="checkbox"/>	Height (76mm)	OK <input type="checkbox"/>	No <input type="checkbox"/>
Width (70mm)	OK <input type="checkbox"/>	No <input type="checkbox"/>	Track (45mm)	OK <input type="checkbox"/>	No <input type="checkbox"/>
Wheel Bearings	Yes <input type="checkbox"/>	No <input type="checkbox"/>	Springs	Yes <input type="checkbox"/>	No <input type="checkbox"/>
Loose Material	Yes <input type="checkbox"/>	No <input type="checkbox"/>	Start Devices	Yes <input type="checkbox"/>	No <input type="checkbox"/>

### OFFICIAL USE ONLY

Passed / Failed

**Youth Only Design**      Kub Kar # \_\_\_\_\_

I swear on my Honour as Cub Scout that I alone designed, built and decorated this Kub Kar

Cub Signature: \_\_\_\_\_

Akela Signature: \_\_\_\_\_

**(This section MUST stay with the Kub Kar into the finals to be included)**